

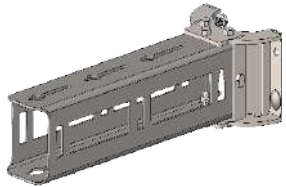


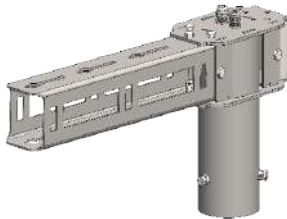
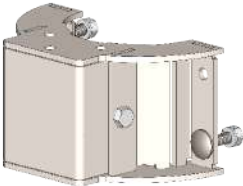

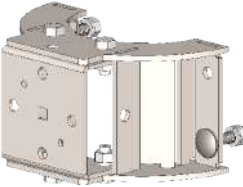
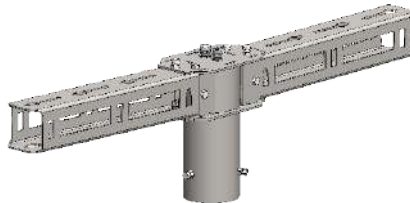
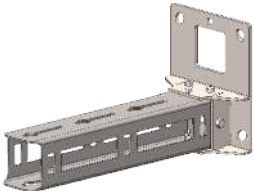

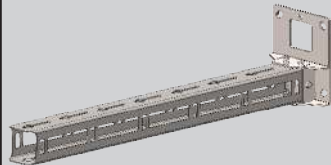
**Altezza installazione massima 12 metri**  
**Maximum installation height 12 metres**  
**Hauteur maximale d'installation prévue 12 mètres**













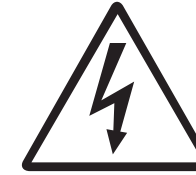
### Informazioni per dimensionamento palo EN40 / Information for sizing EN40 poles / Informations sur le dimensionnement des poteau EN40



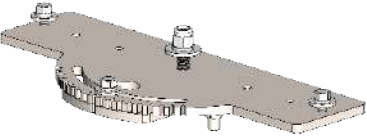
Il dimensionamento del palo è compito del fornitore del palo/ The sizing of the pole is the responsibility of the pole supplier/ Le dimensionnement du poteau est la tâche du fournisseur de poteau

	Caratteristiche prodotti applicabili / Applicable product features / Caractéristiques des produits applicables								
	Full Moon	Jupiter	Mars	Jasper	Goboled 80 D	Goboled 500	Capital 100	Capital 200	Capital 300
<b>Dimensione / Dimension / Dimension</b>	156x84mm 6 1/8"x 3 1/4"	193x177mm 7 5/8"x 7"	350x276mm 13 3/4"x10 7/8"	450x393mm 17 3/4"x15 1/2"	425x164mm 16 3/4"x6 1/2"	536x300mm 21 1/8"x11 3/42"	282x228mm 11 1/8"x 9"	460x232mm 18 1/8"x 9 1/8"	492x313mm 19 3/8"x 12 3/8"
<b>Peso / Weight / Poids</b>	1.0Kg - 2.2lb	3.0Kg - 6.6lb	8.1Kg - 17.8lb	18.3Kg - 40.3b	8.7Kg - 19.2b	30Kg - 66.14lb	5.1Kg - 11.2lb	9.5Kg - 20.9lb	14.7Kg - 32.4lb
<b>Superficie di massimo ingombro con accessori Maximum surface area with accessories Surface maximale avec accessoires</b>	0.0131mq 0.141sq ft	0.0341mq 0,367sq ft	0.0966mq 1.0398sq ft	0.1768mq 1.903sq ft	0.0825mq 0.888sq ft	0.1746mq 1.879sq ft	0.0649mq 0.6984sq ft	0.1067mq 1.1485sq ft	0.154mq 1.6576sq ft

	Codice Code Code	Palo Ø Pole Pôleau	Peso Weight Poids	Dimensione Dimension Dimension	Superficie Surface Surface		Codice Code Code	Palo Ø Pole Pôleau	Peso Weight Poids	Dimensione Dimension Dimension	Superficie Surface Surface
	AL8457	102mm 4"	3.5Kg 7.72lb	479x80mm 18 7/8"x 3 1/8"	0.0383mq 0.4122sq ft		AL8526	60mm 2 3/8"	4.78Kg 10.54lb	254x201mm 10"x 7 7/8"	0.0349mq 0.3756sq ft
	AL8497	120mm 4 3/4"	3.55Kg 7.82lb	490x80mm 19 1/4"x 3 1/8"	0.0392mq 0.4219sq ft						
	AL8456	102mm 4"	5.96Kg 13.14lb	951x80mm 37 1/2"x 3 1/8"	0.076mq 0.818sq ft		AL8524	60mm 2 3/8"	6.7Kg 14.77lb	585x254mm 23"x 10"	0.0657mq 0.707sq ft
	AL8496	120mm 4 3/4"	6.0Kg 13.22lb	960x80mm 37 3/4"x 3 1/8"	0.0864mq 0.93sq ft						
	AL8458	102mm 4"	1.24Kg 2.73lb	165x90mm 6 1/2"x 3 1/2"	0.0148mq 0.1593sq ft		AL8523	60mm 2 3/8"	9.17Kg 20.21lb	1056x254mm 41 5/8"x 10"	0.1054mq 1.134sq ft
	AL8460	120mm 4 3/4"	1.28Kg 2.82lb	178x90mm 7"x 3 1/2"	0.016mq 0.172sq ft						
	AL8459	102mm 4"	1.4Kg 3.08lb	165x90mm 6 1/2"x 3 1/2"	0.0148mq 0.1593sq ft		AL8528	60mm 2 3/8"	8.98Kg 19.79lb	970x254mm 38 1/8"x 10"	0.0965mq 1.0387sq ft
	AL8461	120mm 4 3/4"	1.45Kg 3.2lb	178x90mm 7"x 3 1/2"	0.016mq 0.172sq ft						
	AL8522	Parete Wall Mur	4.52Kg 9.96lb	452x204mm 17 3/4"x 8"	0.036mq 0.387sq ft		AL8527	60mm 2 3/8"	13.9Kg 30.64lb	1910x254mm 75 1/8"x 10"	0.1759mq 1.8934sq ft
	AL8521	Parete Wall Mur	6.98Kg 15.38lb	922x204mm 36 1/4"x 8"	0.0738mq 0.794sq ft			89mm 3 1/2"			

PRODOTTI		FULL MOON		JUPITER		MARS		JASPER		GOBOLED 80D		GOBOLED 500		CAPITAL 100		CAPITAL 200		CAPITAL 300	
		UP	DOWN	UP	DOWN	UP	DOWN	UP	DOWN	UP	DOWN	UP	DOWN	UP	DOWN	UP	DOWN	UP	DOWN
AL8456		7	7	4	4	2	2	1	1	2	2	1	0	2	2	1	1	1	1
AL8496		3	3	2	2	1	1	0	0	1	1	1	0	1	1	0	0	0	0
AL8521		7	7	4	4	2	2	1	1	2	2	1	0	2	2	1	1	1	1
AL8522		3	3	2	2	1	1	0	0	1	1	1	0	1	1	0	0	0	0
AL8523		7	7	4	4	2	2	1	1	2	2	1	0	2	2	1	1	1	1
AL8524		3	3	2	2	1	1	0	0	1	1	1	0	1	1	0	0	0	0
AL8526		1	1	1	1	1	1	1	1	0	0	0	0	1	1	1	1	1	1
AL8527		14	14	8	8	4	4	2	2	4	4	2	0	4	4	2	2	2	2
AL8528		6	6	4	4	2	2	0	0	2	2	2	0	2	2	0	0	0	0
AL8459		1		1		1		1		0		0		1		1		1	
AL8461																			



	Codice Code Code	Prodotto Product Produit	Peso Weight Poids
	AL8465S	Full Moon	0,18Kg 0.39lb
	AL8465M	Jupiter Mars Jasper Goboled 80 D	1,17Kg 2.58lb
	AL8465	Capital 100 Capital 200 Capital 300 Jasper Goboled 500	1.65Kg 3,64lb

**Avvertimenti importanti / Important notices / Avis importants**

**ATTENZIONE !** le operazioni di installazione e connessione devono obbligatoriamente essere eseguite solo da personale specializzato !

**WARNING !** fixing and connecting operations must mandatorily be carried out by qualified personnel only !

**ATTENTION !** Les opérations de fixation et de raccordement doivent obligatoirement être effectuées par du personnel qualifié !

**ATTENZIONE !** Assicurarsi che l'alimentazione sia disattivata prima di collegare o scollegare i proiettori!

**WARNING !** Ensure power supply is off before connecting or disconnecting fixtures !

**ATTENTION !** S'assurer que l'alimentation électrique est coupée avant de connecter ou de déconnecter les appareils !

Fissare e serrare correttamente i componenti utilizzando una coppia di serraggio adeguata.  
Fasten and tighten the components correctly using a suitable torque.

Fixez et serrez correctement les composants en utilisant le couple de serrage approprié.

Nelle configurazioni doppie, assemblare composizioni con peso bilanciato.

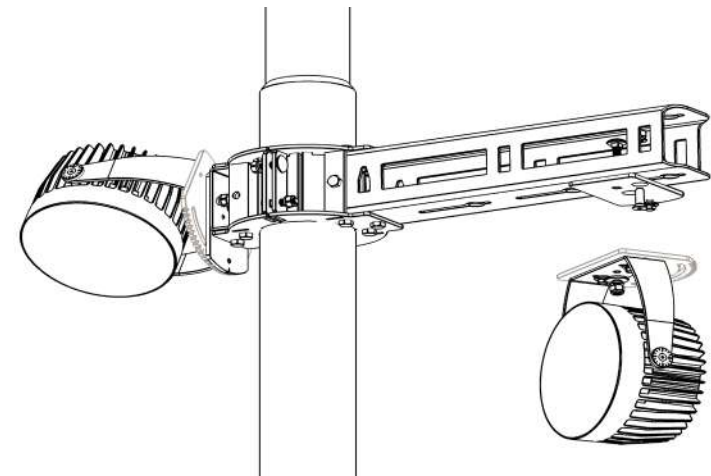
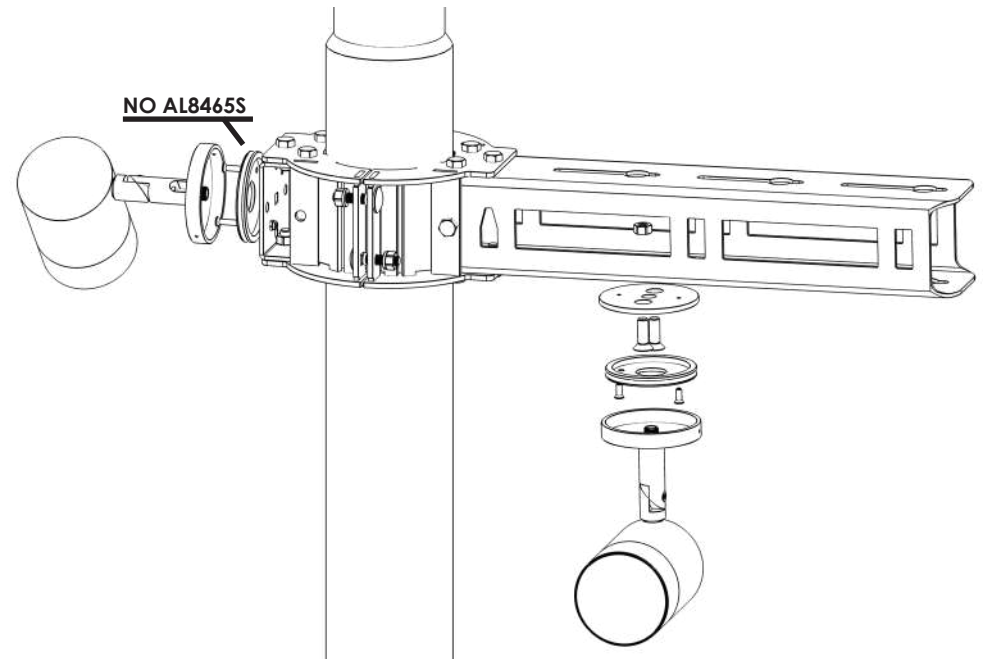
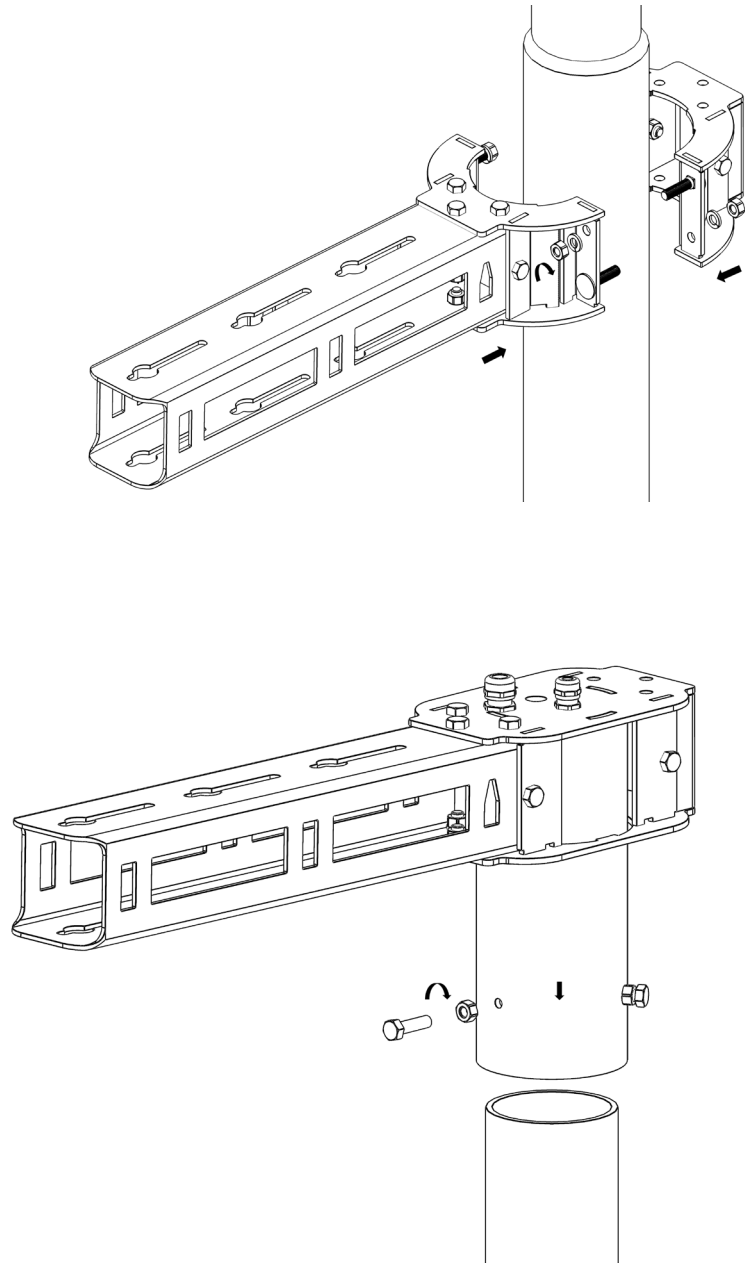
In double configurations, assemble weight-balanced compositions.

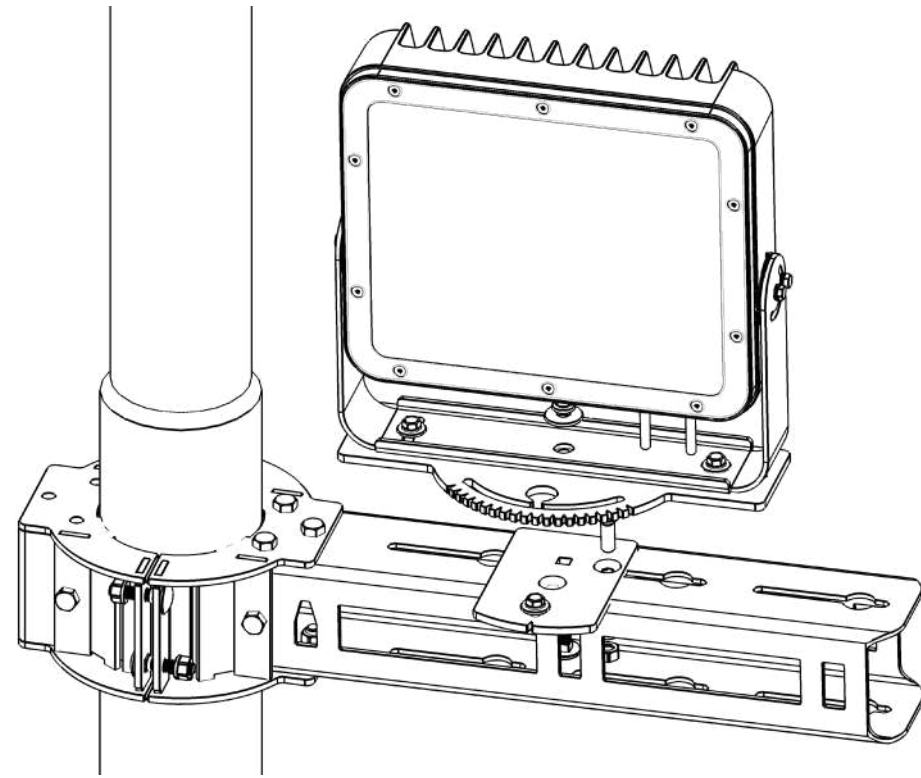
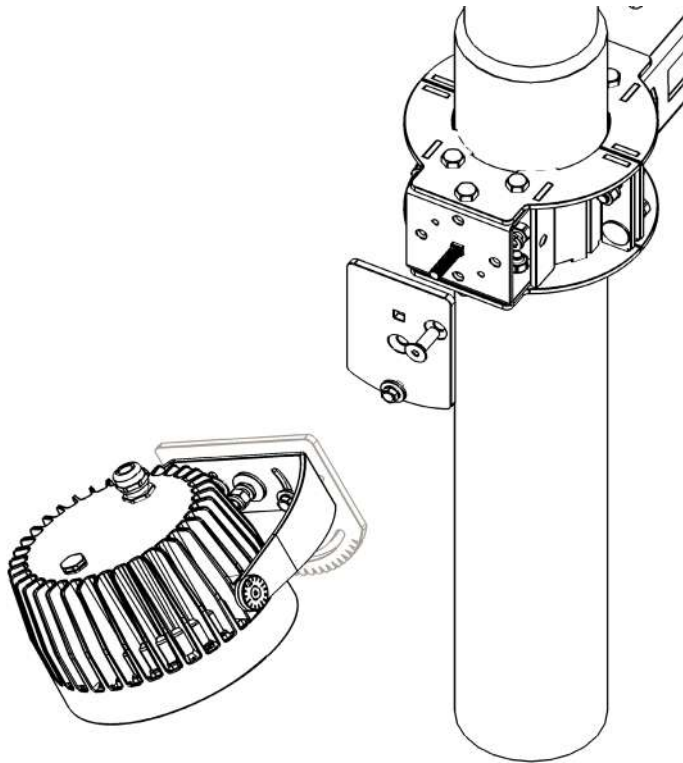
Dans les configurations doubles, assembler des compositions équilibrées en termes de poids.

Questo prodotto deve essere installato secondo le normative locali, da personale specializzato. La mancata osservanza delle istruzioni di installazione può portare a situazioni di pericolo all'incolumità della persone.

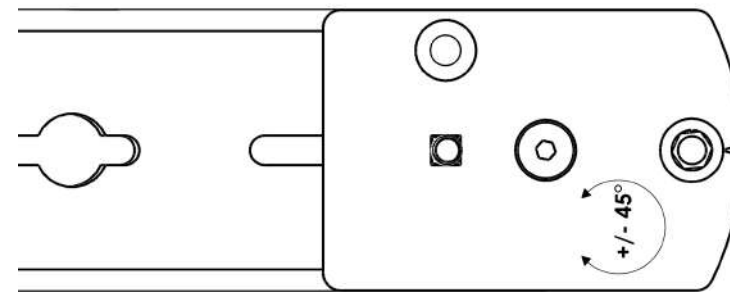
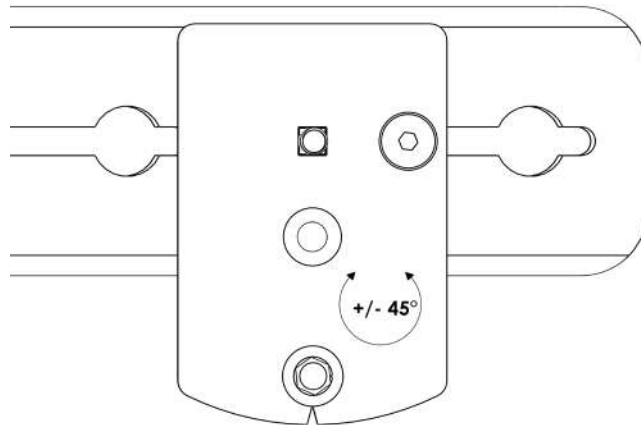
This product must be installed in accordance with applicable national and local electrical and construction codes by a person familiar with the construction and operation of the product and the hazards involved. Failure to comply with the following installation instructions may result in death or serious injury.

Ce produit doit être installé conformément aux réglementations locales, par du personnel qualifié. Le non-respect des instructions d'installation peut entraîner des situations dangereuses pour les personnes.

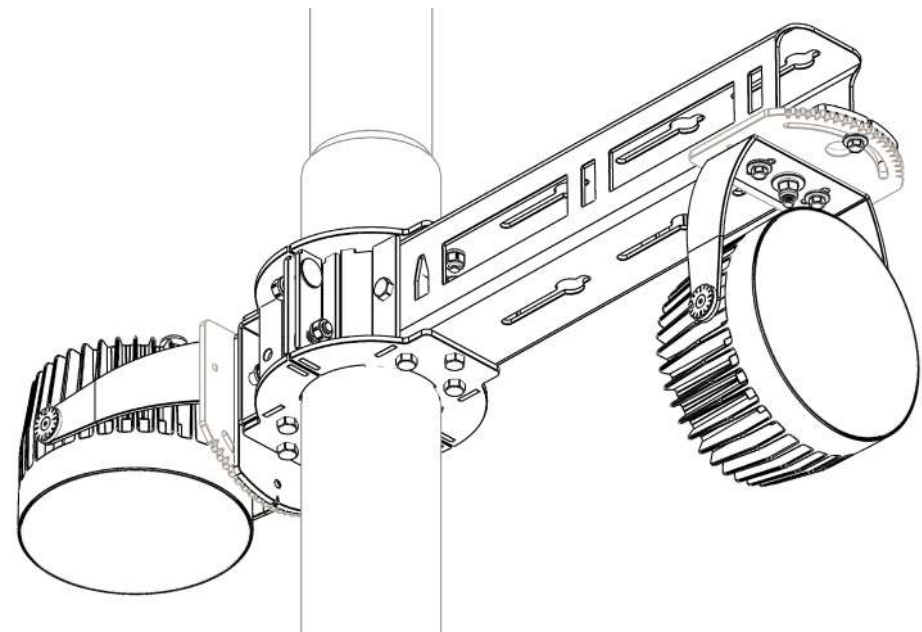
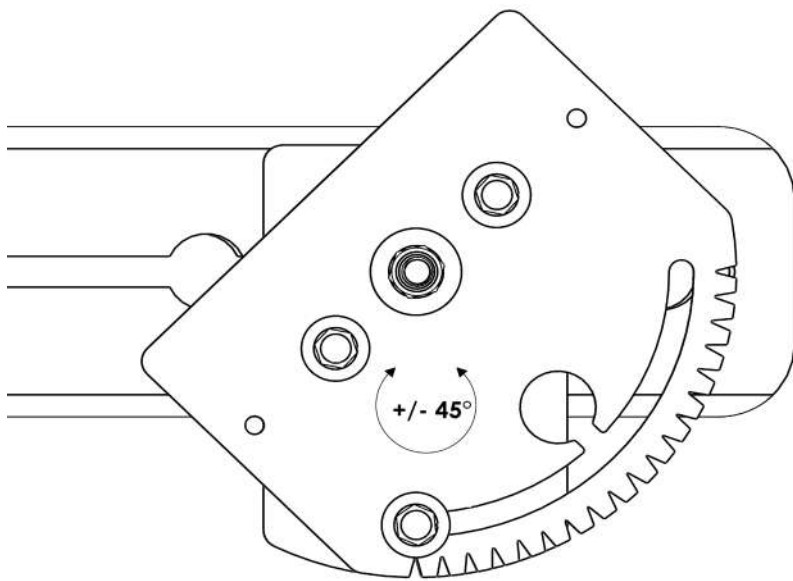




Posizione e regolazione AL8465 ed AL8465M / Position and adjustment AL8465 and AL8465M / Position et réglage AL8465 et AL8465M







**Installazione a parete / Wall installation / Installation murale**

Dimensionare correttamente l'inserto di montaggio a parete (massimo M14) / Correctly size the wall mounting insert (max M14) / Dimensionner correctement l'insert de montage mural (max M14)

